

# HE70 (70M HDMI Single Cable Extender)

Extends HDMI signal over UTP network cable

## Features

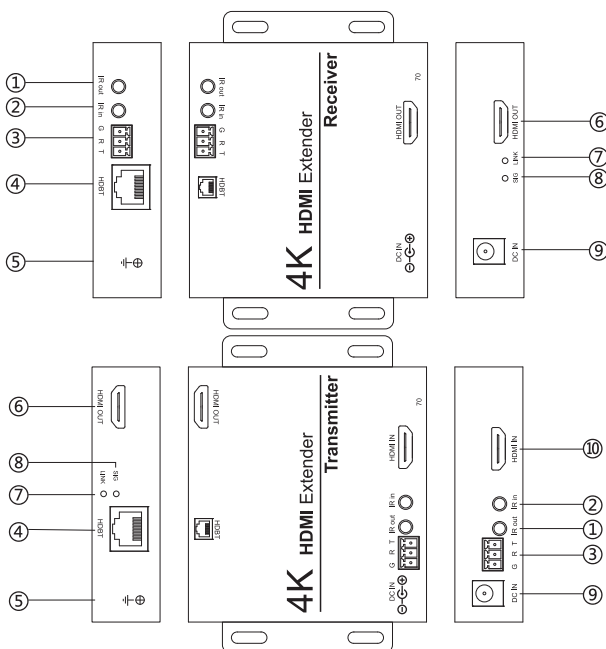
- HDBaseT technology can transmit the HDMI signal through a single CAT5e/6 cable;
- Support two-way infrared, two-way RS232 transmission;
- Support HDMI input compatible with DVI1.0;
- Transmitter supports HDMI monitoring output;
- Built-in POE remote power supply module (optional);
- Support video, IR, RS232 simultaneous transmission, CAT5e/6 cable maximum transmission distance of 70M;
- Supports computer and video resolutions up to 4K, including 1080p/60 color depth.



## Overview

HDMI digital video double stranded cable transporter is transmitted in high definition video 1080P to 70m by single CAT5e/6 double stranded cable. And it can transmit two-way RS-232, two-way infrared signal. It supports video signals with a high resolution of 4K, including 1080p/60 dark. The transmitter is equipped with a HDMI loop output that can be used to extend or monitor input HDMI signals. HDMI digital transmitter is a perfect transmission of HDMI signal source, providing a low cost solution for signal source equipment and display equipment with remote video transmission and bidirectional control.

## Panel Presentation



## Specifications

Input / output HDMI resolution	Up to 2560×1600@60 Hz or 4K (4096×2160)@24 Hz, UHD (3840×2160)@30 Hz
Maximum frame rate	10.2 Gbps(3.4 Gbps per color)
Transmission distance	1080p@60Hz Up to 70m; 4K/UHD@30Hz and 60Hz up to 40m; The use of CAT5e/6 twisted pair cable requirements of 24 AWG or better
Length of video input cable	≤10m AWG26 HDMI standard cable
Length of video output cable	≤10m AWG26 HDMI standard cable
Serial port control	RS232(110-115200bps)
Infrared frequency	38KHz
Maximum operating current	500mA
Power adapter specification	AC input: 100V~240V(50 /60HZ), DC output: 12V-1A
Working temperature	0~40°C
Working humidity range	5~85%RH(none-condensation)
Dimensions	90×84×24(mm)
Weight	200g

Design and specifications are subject to change without prior notice.